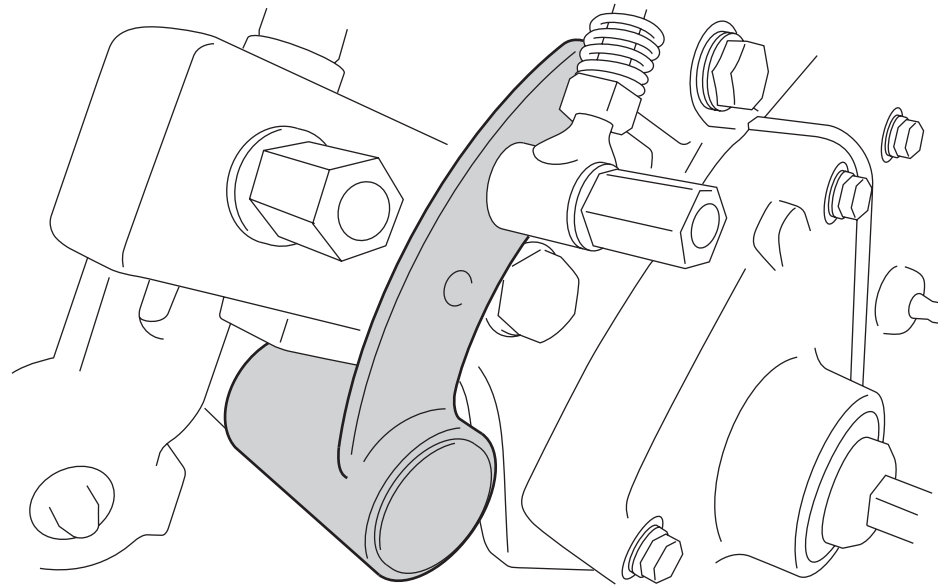


BARONESS[®]

Greens Mowers LM56/LM66/LM18G Series Installation Manual No.02 Assembly of Left Vertical Housing



Kyoeisha USA Inc.
www.baroness.us

Please use the following safety precautions when servicing a Baroness mower:

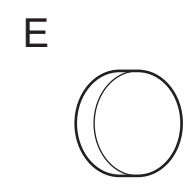
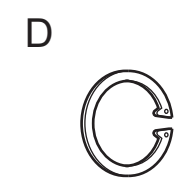
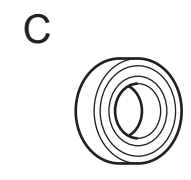
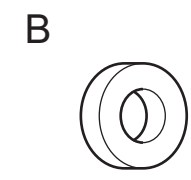
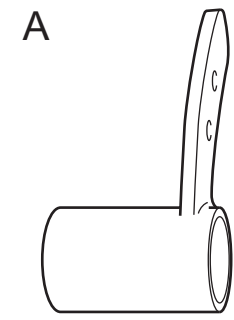
Wear protective clothing and gear.

- Long pants, safety glasses, hard hat, gloves, and steel toe shoes or boots are recommended before doing any work on the greens mower. This will reduce your risk of injury.

Notes for installation.

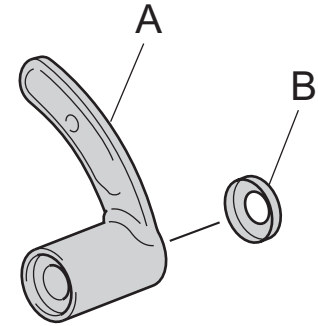
- Always refer to this installation manual or the owner's manual before beginning any work on the greens mower.
- Be sure to wear protective clothing and gear.
- "Left" and "right" directions in this manual are based on the viewpoint of the operator holding the handle of the mower and facing the mowing direction.
- Before doing any work on the mower, place it on a level surface and make sure all the switches are turned to the OFF position and that all the valves are closed.
- Engage parking brake and block tires while servicing the mower.
- Never attempt to install any parts or make any adjustments while the engine is running.
- Let the engine, muffler, and exhaust system cool before proceeding to service any parts which are in close proximity. These areas can be dangerously hot. Contact with these parts can cause bodily harm and or burns.
- Be mindful and take precaution around of the reel and blades as they contain sharp edges. These can inflict bodily harm and or injury.
- Always keep the safety symbols and instructions clean and attached to the mower. If they are lost or damaged, replace them immediately with new ones.
- Do not alter the machine. When replacing parts and grease, use only those specified by Kyoisha USA.
- The operation of a machine that has been modified or installed with parts other than those specified by Kyoisha USA could lead to mechanical malfunction resulting in damage to the mower and or injury to the operator.

Part	Part Num.	Part Name	Qty
A.	LM56G--1212AR	Left Vertical Housing	1
B.	K0821525070	Oil seal MHS15257	1
C.	K0608069020	Bearing 69022RS	1
D.	K0402028001	Stop Ring R28	1
E.	K0890000060	Stopper 30	1

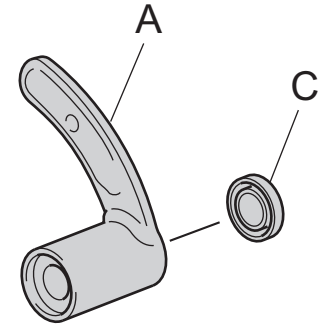


Step 1.

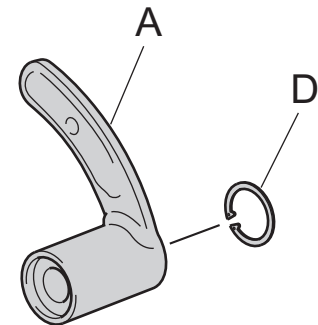
Insert Part (B) into Part (A). Pay attention to the direction of the Oil seal, Part (B). Make sure the lip side goes in first and flush side is facing outwards. Also double check positioning of Part (B). Lip side should be seated all the way down to lipped groove of Part (A).

**Step 2.**

Next insert Part (C) into Part (A). Part (C) should sit flush against Part (B).

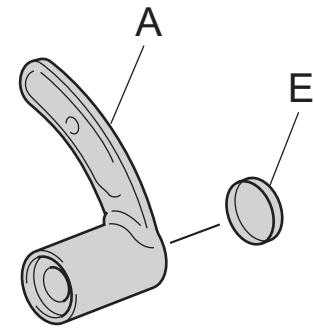
**Step 3.**

Lock and secure Parts (B) and (C) into place with Part (D). Align Stop ring R28, Part (D) into cut out groove of Part (A). Insert Part (D) so that rounded side goes in first and is facing Part (C).



Step 4.

Complete assembly by inserting Part (E) into Part (A). Part (E) should sit flush with outer rim of Part (A).



BARONESS[®]

Kyoeisha USA, Inc.
1301 Rand Street, Suite D • Petaluma, CA 94954
Phone: 707.283.0610 • Fax: 707.283.0613
Web: www.baroness.us